

Instructions for installation and operation

ÖWAMAT® M1 + M2

IMPORTANT INFORMATION

1. Only use original OEKOSORB replacement filter sets. If other filters are used, the manufacturer's warranty will become invalid.

2. ÖWAMAT separation systems are designed exclusively for the separation of compressor condensates. In the case of other applications, the manufacturer is exempt from liability.

3. The ÖWAMAT oil-water separator is intended for the separation of oil-water mixtures from

compressor condensate, it is not suitable for stable emulsions.

4. Condensate discharge carried out manually or via condensate drains or traps with time-dependent controls will lead to overloading or emulsification.

5. If the sample taken shows the same degree of cloudiness as the liquid in the reference jar, or if the level control is visible, the filters have to be changed.

6. The container should be regularly checked to ensure that there is no leakage.

7. The lid/bottom of the container must be screwed down securely.

SAFETY NOTES:

- Check the hose connections regularly.
 - Shut off inlet pipe before maintenance work.
- If required, shut down the compressor.

FUNCTIONAL CHARACTERISTICS

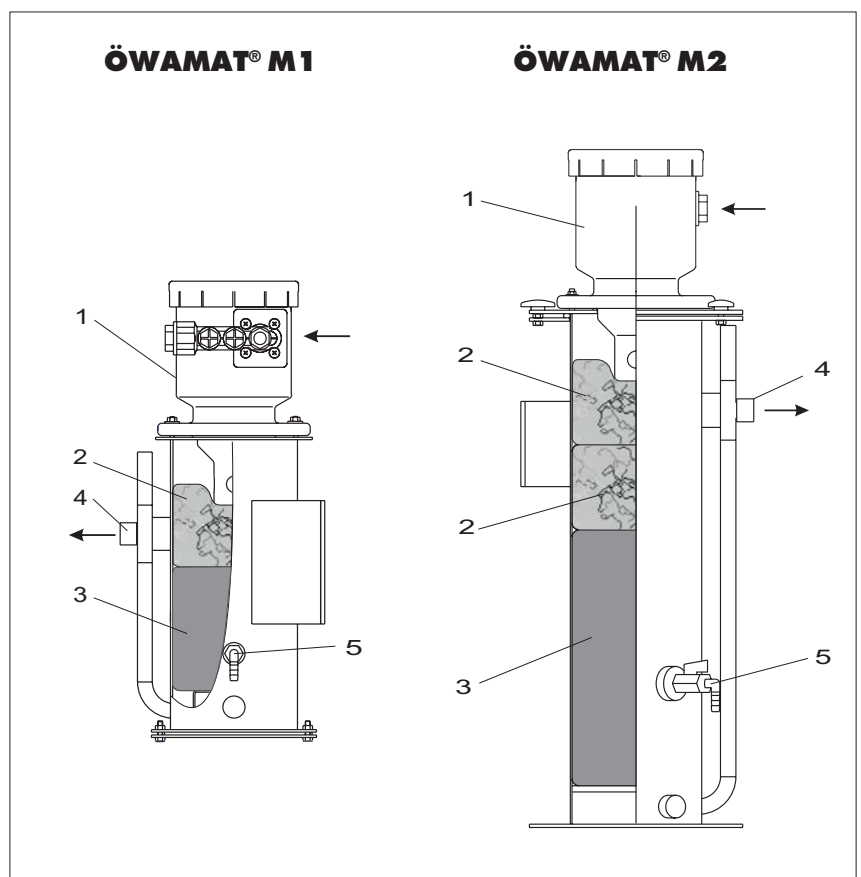
FUNCTION

The oil-contaminated condensate can be discharged under pressure into the ÖWAMAT oil-water separator. The overpressure is reduced in the patented **pressure relief chamber (1)**, without creating turbulence in the separation container.

The condensate flows through an **oleophilic prefilter (2)** and through an **adsorption filter (3)**. This special OEKOSORB filter system fully retains oil particles.

The cleaned condensate leaves the ÖWAMAT at **water outlet (4)**. The cloudiness may be checked with the **test valve (5)**.

ÖWAMAT M1 and M2 are calculated for a two-fold filter replacement per year with a rotary compressor.



ÖWAMAT® M1 + M2

INSTALLATION

ÖWAMAT shall be mounted at its wall brackets and at its bottom flange (ÖWAMAT M2).

NOTE:
Adsorption filters must be soaked

in water for at least 24 hours before putting the ÖWAMAT oil-water separator into operation!

At least 24 hours before use, fill the ÖWAMAT oil-water separator with water through the **condensate inlet**

(1) until the water begins to come out at the **water outlet (4)**.

Shut off water.

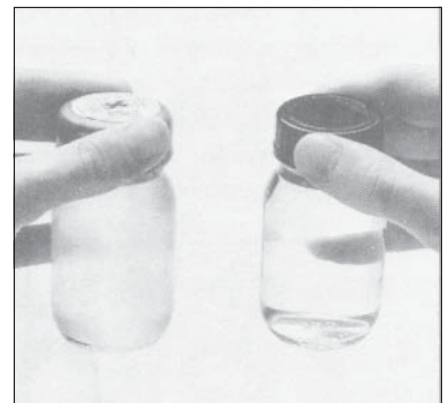
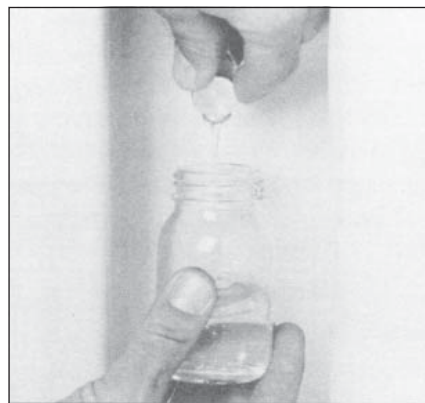
The ÖWAMAT oil-water separator is now ready for operation.

TEST

FILTER CHECK

(should be done once a week)

- Fill the sample jar with water from the **sample valve (5)**.
- Compare visually cloudiness of the sample with the reference liquid.
- If the cloudiness of the sample is equal to or greater than the reference cloudiness, the filters must be replaced.



MAINTENANCE

FILTER REPLACEMENT

New OEKOSRB filter set must be soaked in water 24 hours before insertion.

Please observe the legal regulations in your country pertaining to the use and handling of filters, particularly with regard to keeping a spare filter set and ensuring that the plant is in a leaktight condition and in good working order.

Only use the original OEKOSRB filter set, otherwise the manufacturer's warranty will become invalid!

OEKOSRB® Filter Set	Order ref.
ÖWAMAT M1	XV KTM1 AF1
ÖWAMAT M2	XV KTM2 AF1

Procedure for type M1

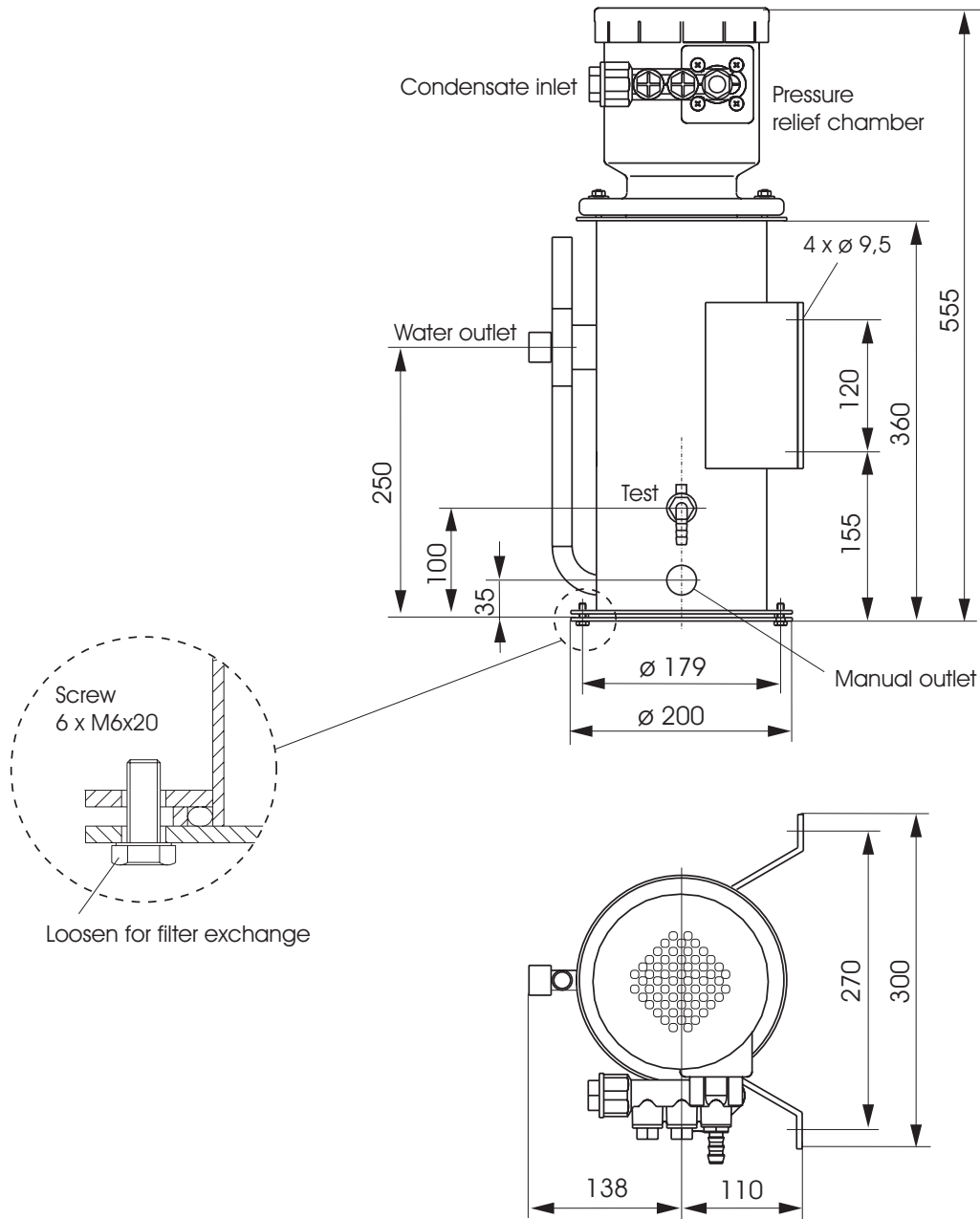
1. Empty container by opening the manual outlet
2. Loosen screws of the bottom flange and lift it off
3. Take new OEKOSORB filter set out of plastic bag
4. Lift fouled prefilter and adsorption filter slowly
5. Put fouled prefilter and adsorption filter into plastic bag of the new filter set, close carefully and arrange for correct disposal
6. Insert prefilter: **prefilter must be inserted with the closing end at the top!**
7. Add new adsorption filter into filter housing and push it to the top
8. Fit bottom flange to the filter housing. Close the lid with new seal ring from filter set and screw tight.

Procedure for type M2

1. Loosen star grips and lift off pressure relief chamber with lid
2. Take new OEKOSORB filter set out of plastic bag
3. Lift the two fouled prefilters and the adsorption filter slowly, allow to drain over filter housing
4. Put fouled prefilters and adsorption filter into plastic bag of the new filter set, close carefully and arrange for correct disposal
5. Insert new adsorption filter into the filter housing and push it to the bottom
6. Add the two prefilters: **prefilters must be inserted with the closing end at the top!**
7. Fit pressure relief chamber with lid and new seal ring from filter set to the filter housing. Close and screw tight.

ÖWAMAT® M1 + M2

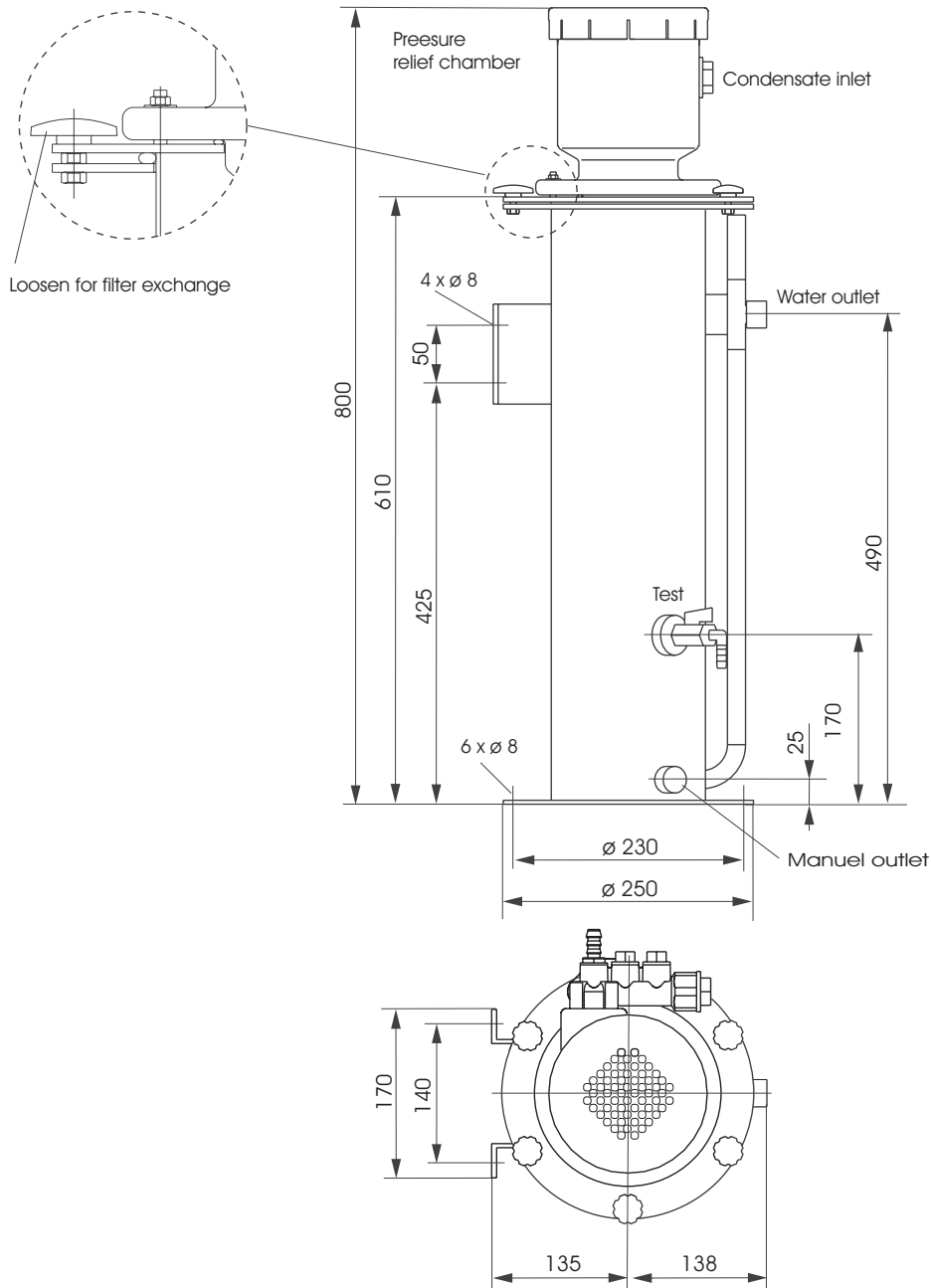
TECHNICAL DATA M1



Container capacity	6,3 litre
Filling volume	4,3 litre
Oleophilic prefilter	1 x 2 litre
Adsorption filter	1 x 2,5 litre
Condensate inlet (hose Ø inside)	3 x G½ (di= 10 mm) 1 x G1 (di= 25 mm)
Water outlet	G ½"
Weight empty	7,3 kg
Adm. condensate temperature	60 °C
Material: Pressure relief chamber	PE
Container	stainless steel
Adsorption filter	activated carbon
Prefilter	PP

ÖWAMAT® M1 + M2

TECHNICAL DATA M2



Container capacity	10.6 litre
Filling volume	8.5 litre
Oleophilic prefilter	2 x 2 litre
Adsorption filter	1 x 5.3 litre
Condensate inlet (hose \varnothing inside)	3 x G $\frac{1}{2}$ (di= 10 mm) 1 x G1 (di= 25 mm)
Water outlet	G $\frac{1}{2}$ "
Weight empty	13.6 kg
Adm. condensate temperature	60 °C
Material: Pressure relief chamber	PE
Container	stainless steel
Adsorption filter	activated carbon
Prefilter	PP