

**EVERDRY®**

**HEAT-REGENERATED  
ADSORPTION DRYERS**



## THE SOLUTION FOCUSES ON THE APPLICATION REQUIREMENTS ....

For this reason BEKO offers application-optimized products for the treatment of compressed air. Refrigeration dryers, adsorption dryers and membrane dryers have been part of our product spectrum for many years.

Our extensive product range also includes heat-regenerated EVERDRY® adsorption dryers. EVERDRY® stands for customer-oriented plant engineering tailored to the specific operational requirements on the basis of highly efficient, standardized concepts.

Our familiarity with the requirements of the different sectors of industry, many years of experience in plant engineering, high-quality product and system solutions, and our well established international BEKO sales and service network: these are the key components that enable us to offer our customers a unique performance package.

Consulting, engineering, installation and service for EVERDRY® adsorption dryers are available worldwide through our BEKO sales and service organizations or our qualified partners.



**+ 1: APPLICATION-ORIENTED  
PLANT ENGINEERING**

**+ 2: ENERGY-OPTIMIZED  
CONCEPTS**

**+ 3: RELIABLE  
PROCESS CONTROL**

**+ 4: COMPREHENSIVE  
SOLUTION INSTEAD OF  
BIT-BY-BIT APPROACH**

**+ 5: ADDED VALUE  
THANKS TO  
SPECIALIST KNOW-HOW**

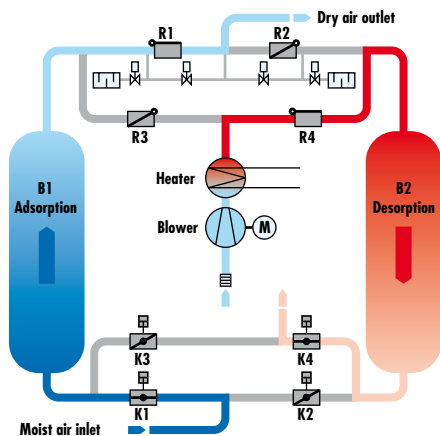


# EVERDRY® - THE CUSTOMIZED SOLUTION TO SATISFY ALL CRITERIA

EVERDRY® offers standardized plant concepts with many variation options. This makes it possible to meet the complex requirements of compressed air drying extremely cost-effectively for all flow rates.

For exceptional, customer-specific requirements we develop individual solutions.

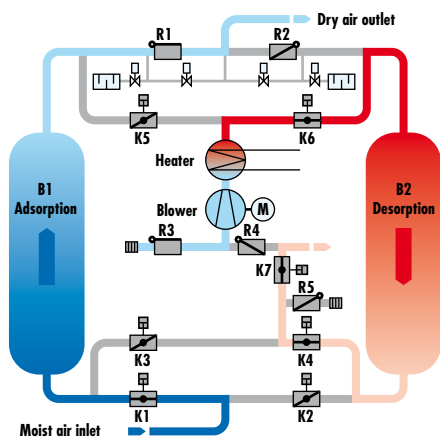
**In brief: The EVERDRY® concept is not restricted to what is available; it owes its success to solution-oriented, optimal technology.**



## EVERDRY® FRP

- Desorption using heated blower air
- Cooling using partial flow of expanded dry air
- Suitable for universal application; starting basis for system variants

Series <b>EVERDRY® FRP</b>	580 40.000 m³/h	Performance range	High process reliability
DTP up to -40 °C	All climate zones		
Heat- regenerated	Investments Operation		



## EVERDRY® FRA

- Desorption using heated blower air
- Cooling using blower air (ambient air)

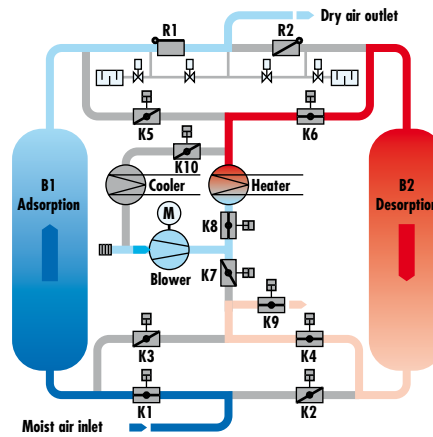
Series <b>EVERDRY® FRA</b>	580 40.000 m³/h	Performance range	ZERO PURGE
DTP up to -40 °C	Temperate climate		High process reliability
Heat- regenerated	Investments Operation		

# EVERDRY® - THE CUSTOMIZED SOLUTION TO SATISFY ALL CRITERIA

## EVERDRY® FRL

- Desorption using heated blower air
- Cooling using blower air in a closed circuit (loop)
- Designed for critical ambient conditions

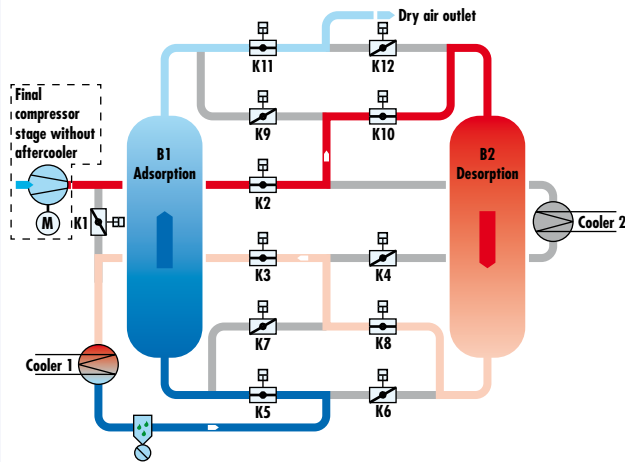
Series <b>EVERDRY® FRL</b>	580 40,000 m³/h	Performance range	ZERO PURGE
DTP up to -70 °C	All climate zones	High process reliability	
Heat-regenerated	Investments Operation	Loop	



## EVERDRY® HOC

This energy-saving concept utilizes compression heat.

Wherever oil-free compressed air is being produced you can profit from the advantages of our HOC series. The main design principle: the heat generated when the air is being compressed is used for the removal (desorption) of the adsorbed water. The energy saving is tremendous and represents a convincing argument in favour of EVERDRY® with compression heat utilization.



**EVERDRY® HOC-P**  
Regeneration under partial flow



**EVERDRY® HOC-F**  
Regeneration under full flow

**EVERDRY®: For flow rates from 580 – 20,000 m³/h (340 – 11,770 cfm).  
Solutions for higher flow rates upon enquiry.**



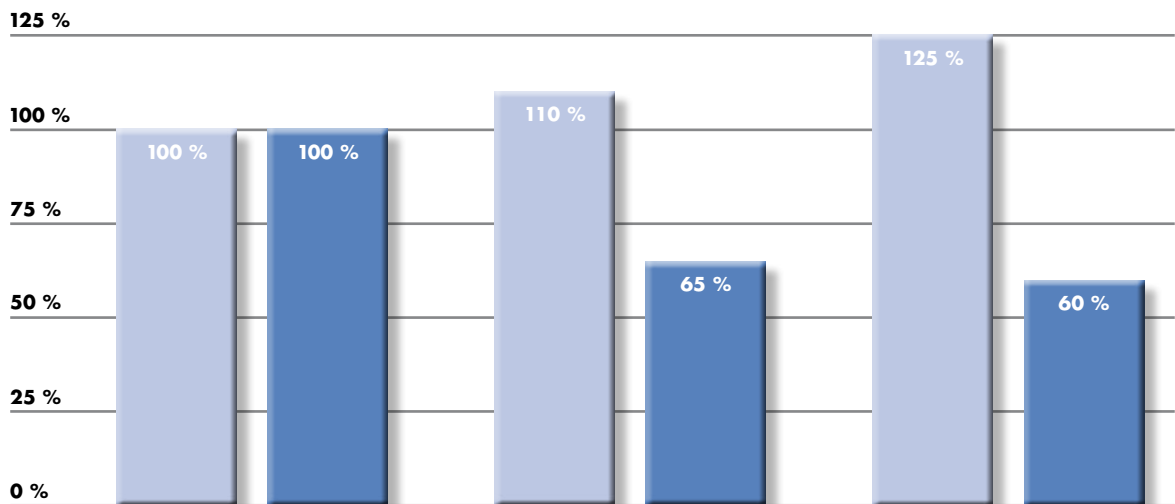
# ... AND ON YOUR PRIORITIES

## SELECTION CRITERION: LOCAL CLIMATE CONDITIONS

Climate zone	suitable series
Cold	FRP/FRA/FRL
Temperate	FRP/FRA/FRL
Subtropical	FRP/FRL
Tropical	FRP/FRL



## SELECTION CRITERION: INVESTMENT AND OPERATING COSTS



**FRP**  
Suitable for universal application

**FRA**  
ZERO PURGE cooling with ambient air cuts operating costs.

**FRL**  
Closed cooling air circuit (LOOP) for critical ambient conditions cuts operating costs.

For the decision which series to choose it is important to consider not only the type of application but also the investment and operating costs as well as the particular payback period.

Investment costs      Operating costs

**BEKO**

**HIGH QUALITY COMPRESSED AIR SUPPLY**

**BEKOMAT®**

The convincing concept for condensate discharge

**ÖWAMAT®**

Clean and safe oil/water separation

**BEKOSPLIT®**

Splitting plants for the reliable, economic and environmentally friendly treatment of oil-water emulsions

**CLEARPOINT®**

Flow-optimised, reliable filters and water separators for compressed air and industrial gases

**DRYPOINT®**

Refrigeration dryers, adsorption dryers, membrane dryers

**EVERDRY®**

Compressed air drying for large volume flows

**BEKOKAT®**

Catalytic compressed-air processing for reliable oil-free compressed air.

**BEKOBLIZZ®**

Optimised cooling processes using deep-cooled, dry compressed air

**METPOINT®**

For the monitoring, control and optimisation of the compressed-air system

**BEKOFLOW®**

Innovative, cost-reducing compressed air pipe system



**BEKO TECHNOLOGIES GMBH**

Im Taubental 7  
41468 Neuss  
www.beko.de

Telefon +49 2131 988-0  
Telefax +49 2131 988-900  
beko@beko.de



Subject to technical changes without prior notice; the information provided does not represent characteristics of state within the meaning of the German Civil Code (BGB).

® Registered Trademarks by BEKO TECHNOLOGIES GmbH, Neuss

XP ED 002 INT  
Edition 2010-03