

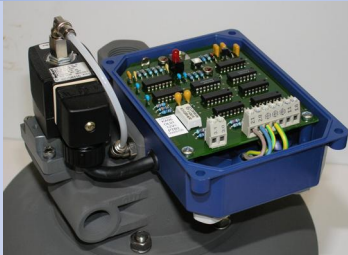
CONDENSATE DRAIN**BEKOMAT® 3****BEKOMAT® 6****SPECIAL**

Beyond our standard range, BEKO offers a number of special BEKOMAT® condensate drains for applications that are not adequately covered by the usual products in the market.

BEKOMAT® 3 and BEKOMAT® 6 are electronically level-controlled condensate drains designed particularly for aggressive condensates and special operating parameters as exist, for example, during the compression of inert or process gases.

+1:

IN ADDITION TO HARD COATED ALUMINIUM HOUSINGS, ALL THE DEVICES ARE OFFERED WITH STAINLESS STEEL HOUSINGS

+2:

ALL TYPES ARE ALSO AVAILABLE IN EXPLOSION-PROTECTED VERSIONS. ATEX CERTIFIED WITH BVS 03 ATEX E 214 X AND CLASSIFICATION II 2G EEx ib IIB T4

**+3:**

OUR SPECIAL CONDENSATE DRAINS INCLUDE LOW-PRESSURE DEVICES, IN PARTICULAR FOR USE WITH MULTISTAGE COMPRESSORS.

+4:

BEKO POSSESSES MORE THAN 20 YEARS OF EXPERIENCE IN THE FIELD OF HIGH-PRESSURE APPLICATIONS. OUR BEKOMAT® 3 E EX 63 IS THE ONLY ELECTRONICALLY LEVEL-CONTROLLED CONDENSATE DRAIN ON THE MARKET WITH ATEX APPROVAL FOR PRESSURES >40 BAR.



EXAM
BBG Prüf- und Zertifizier GmbH

Translation

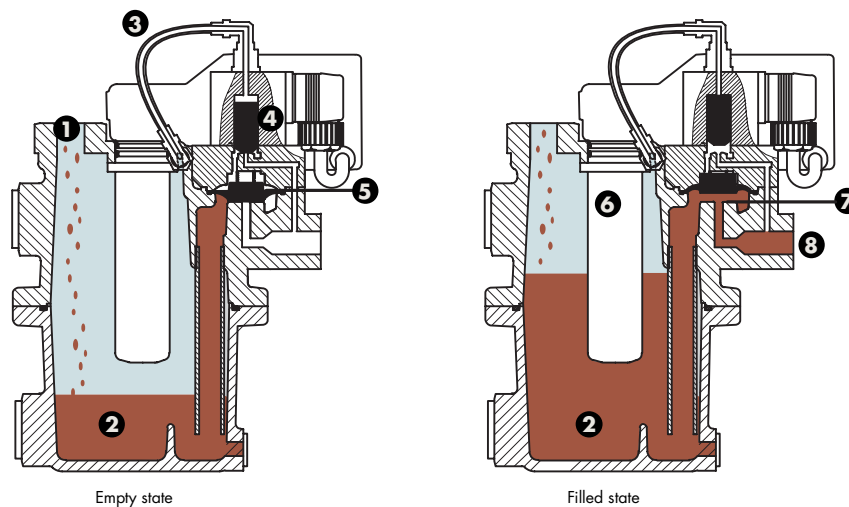
EC-Type Examination Certificate

- (1) - Directive 94/9/EC -
(2) Equipment and protective systems intended for use in potentially explosive atmospheres

BVS 03 ATEX E 214 X

- (3) Condensate drain type BEKOMAT *** Ex ****
(4) Equipment: BEKO TECHNOLOGIES GMBH



CONDENSATE DRAIN**BEKOMAT® 3****BEKOMAT® 6****FUNCTION****BEKOMAT® 3 Ex shown as an example****Empty state:**

Condensate trickles through the inlet opening ① and collects in the container ②. The diaphragm valve ⑤ is closed, since the pilot supply line ③ and the solenoid valve ④ ensure pressure compensation above the valve diaphragm ⑤. The larger surface area above the diaphragm results in a high closing force, so that the valve seat is tight and leakproof.

Filled state:

When the container ② has filled with condensate and the capacitive level sensor ⑥ signals at the maximum point, the solenoid valve is energized and the area above the valve diaphragm is vented. The valve diaphragm lifts off the valve seat ⑦, and the pressure in the housing forces the condensate into the discharge pipe ⑧. The valve will again be fully closed and leakproof before any compressed air can escape. Should the condensate discharge fail to function properly (blocked discharge pipe, faulty diaphragm), the device will change to the alarm mode after 60 seconds. In this case, the LED flashes and, if desired, the alarm signal is relayed via a potential-free contact.

With explosion-protected devices (Ex), this is possible via a built-in optocoupler and a switching amplifier. While in the alarm mode, the solenoid valve will open every 4 minutes for a period of 7.5 seconds. Consequently, a BEKOMAT® unit filled in an unpressurized state will, under pressure, automatically revert to normal operating conditions and thus clear the alarm.

The condensate can then flow into the ÖWAMAT® oil-water separator designed for the treatment of dispersed condensates. Condensates with stable emulsions can be cleaned up in our BEKOSPLIT® emulsion splitting plant leaving hardly any waste for disposal. Either system will help your company to conform to the legislation concerning the treatment & discharge of compressed air condensate.

Subject to technical changes without prior notice; the information and data do not represent product characteristics within the meaning of the German Civil Code (BGB)

© Registered trademarks of
BEKO TECHNOLOGIES GmbH, Neuss

**BEKO TECHNOLOGIES GMBH**

Im Taubental 7
41468 Neuss
Germany

Phone +49 21 31 988-0
Fax +49 21 31 988-900
beko@beko.de

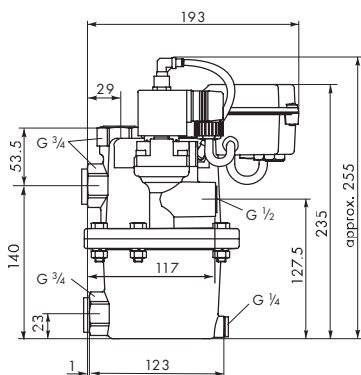
www.beko.de

CONDENSATE DRAIN**BEKOMAT® 3****BEKOMAT® 6****TECHNICAL DATA**

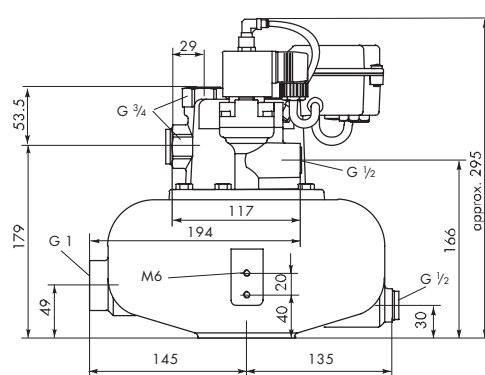
Type	Working press. (bar)		Weight (kg)	Fluid type	Application Housing material	Connections		Nominal throughput (l/h)			
	min.	max.				Inlet	Outlet	4 bar	>7 bar	4 bar	>7 bar
3 E 25	0.8	25	5.8	ö/öf	up to 25 bar, stainless steel	3x G 3/4	1x G 1/2		56		700
3 E 63	0.8	63	5.8	ö/öf	up to 63 bar, stainless steel	3x G 3/4	1x G 1/2		56		700
3 E EX 63*	0.8	63	5.8	ö/öf	ex-protection, up to 63 bar stainless steel	3x G 3/4	1x G 1/2		56		700
3 CO EX	0.8	16	2.6	ö/öf	ex-protection aluminium, hard coated	3x G 3/4	1x G 1/2		43		700
3 E EX	0.8	16	5.8	ö/öf	ex-protection, stainless steel	3x G 3/4	1x G 1/2		43		700
3 CO LP	0.4	5	2.6	ö/öf	low pressure aluminium, hard coated	3x G 3/4	1x G 1/2	27		390	
3 E EX LP	0.4	5	2.6	ö/öf	low pressure, ex-protection stainless steel	3x G 3/4	1x G 1/2	27		390	
6 E 25	0.8	25	14	ö/öf	up to 25 bar stainless steel	2x G 3/4 1x G 1	1x G 1/2		228		1700
6 CO EX	0.8	16	5.8	ö/öf	ex-protection aluminium, hard coated	2x G 3/4 1x G 1	1x G 1/2		228		1700
6 E EX	0.8	16	14	ö/öf	ex-protection stainless steel	2x G 3/4 1x G 1	1x G 1/2		228		1700
6 CO LP	0.4	5	5.8	ö/öf	low pressure aluminium, hard coated	2x G 3/4 1x G 1	1x G 1/2	217		1500	

* Compressed air or gas with an operating pressure between 4 and 8 bar is required for the control.

ö = oil-contaminated condensate
öf = oil-free, often aggressive condensate



BEKOMAT® 3 EX



BEKOMAT® 6 EX

These dimensioned drawings represent examples. Drawings of other versions upon request.

Subject to technical changes without prior notice; the information and data do not represent product characteristics within the meaning of the German Civil Code (BGB)

© Registered trademarks of
BEKO TECHNOLOGIES GmbH, Neuss



BEKO TECHNOLOGIES GMBH

Im Taubental 7
41468 Neuss
Germany

Phone +49 21 31 988-0
Fax +49 21 31 988-900
beko@beko.de

www.beko.de